

JUJCC

Low Voltage Industrial Cable Joint Kits

(Includes Compression Connectors)

**BICAST JEM**

Application

Straight joints for LV cables with copper conductors from 1.5mm² to 400mm²

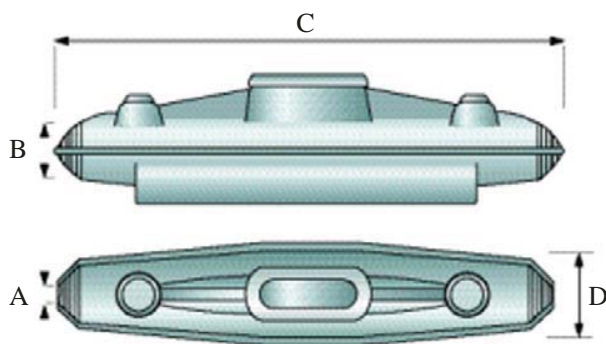
Features

- Low Hazard Isocyanate free JEM resin
 - Twin Pack mixing in clear laminate sachets
 - Extremely low viscosity combined with enhanced adhesion
- Transparent injection moulded polypropylene shells up to size 4 and vacuum formed clear HIPS for the larger sizes.
- Slim-line design for use with compression connectors

JUJCC Low Voltage Industrial Cable Joints

Technical Data

- > Low Voltage Straight Joints for 600/1000 Volt polymeric insulated copper conductors, SWA cables to BS5467, BS6346 and IEC 502.
- > Tested and approved to BS EN 50393 & ENA ER C81
- > Includes 4 compression connectors and constant force spring Armour Bonds.
- > JEM Resin
 - Easier mixing in "Twin Pack" totally enclosed mixing in a clear laminate sachet.
 - Extremely low mix viscosity allows void free joint filling.
 - JEM Resin is insensitive to moisture and will cure under water.
 - Enhanced adhesion to XLPE, MDPE, PVC & lead.
 - High flash point, non-flammable liquid - No special storage or transport requirements.
 - Not classified as irritating to the skin or eyes.
 - Does not cause skin sensitization.



Joint Ref.	Shell Dimensions			
	Min. box entry Ø 'A'	Min. box entry Ø 'B'	Box length 'C'	Internal Ø 'D'
JUJ2CC	12mm	26mm	185mm	35mm
JUJ6CC / JUJ10CC	14mm	32mm	245mm	48mm
JUJ16CC	23mm	39mm	325mm	52mm
JUJ25CC / JUJ35CC	28mm	50mm	375mm	68mm
JUJ50CC / JUJ70CC / JUJ95CC	32mm	58mm	520mm	102mm
JUJ120CC / JUJ150CC / JUJ185CC	45mm	75mm	705mm	124mm
JUJ240CC / JUJ300CC	40mm	89mm	862mm	140mm
JUJ400CC	57mm	95mm	900mm	150mm

Joint selection for 2, 3 and 4 core cables

Nominal Area of Conductor	Two Core Ref.	Three Core Ref.	Four Core Ref.
1.5mm ²	JUJ2CC	JUJ2CC	JUJ2CC
2.5mm ²	JUJ2CC	JUJ2CC	JUJ2CC
4mm ²	JUJ2CC	JUJ2CC	JUJ2CC
6mm ²	JUJ6CC	JUJ6CC	JUJ6CC
10mm ²	JUJ10CC	JUJ10CC	JUJ10CC
16mm ²	JUJ16CC	JUJ16CC	JUJ16CC
25mm ²	JUJ25CC	JUJ25CC	JUJ25CC
35mm ²	JUJ35CC	JUJ35CC	JUJ35CC

Nominal Area of Conductor	Two Core Ref.	Three Core Ref.	Four Core Ref.
50mm ²	JUJ50CC	JUJ50CC	JUJ50CC
70mm ²	JUJ70CC	JUJ70CC	JUJ170CC
95mm ²	JUJ95CC	JUJ95CC	JUJ95CC
120mm ²	JUJ120CC	JUJ120CC	JUJ120CC
150mm ²	JUJ150CC	JUJ150CC	JUJ150CC
185mm ²	JUJ185CC	JUJ185CC	JUJ185CC
240mm ²	JUJ240CC	JUJ240CC	JUJ240CC
300mm ²	JUJ300CC	JUJ300CC	JUJ300CC
400mm ² *	JUJ400CC	JUJ400CC	JUJ400CC

*Joint does not accommodate crossed core (phase to phase) jointing.