

Cleats & Cable Fixings



Stainless Steel Single Cable Cleat 379SC Series

Application

- > Low and High Voltage cables with high fault current capacities. (Standard and LSOH cable sheaths)
- > Cable Diameters from 33mm to 150mm
- > Can be used in Harsh Offshore environments.
- > Suitable for use with all standard ladder and tray systems.
- > Operating temperatures -40°C to +120°C

Features

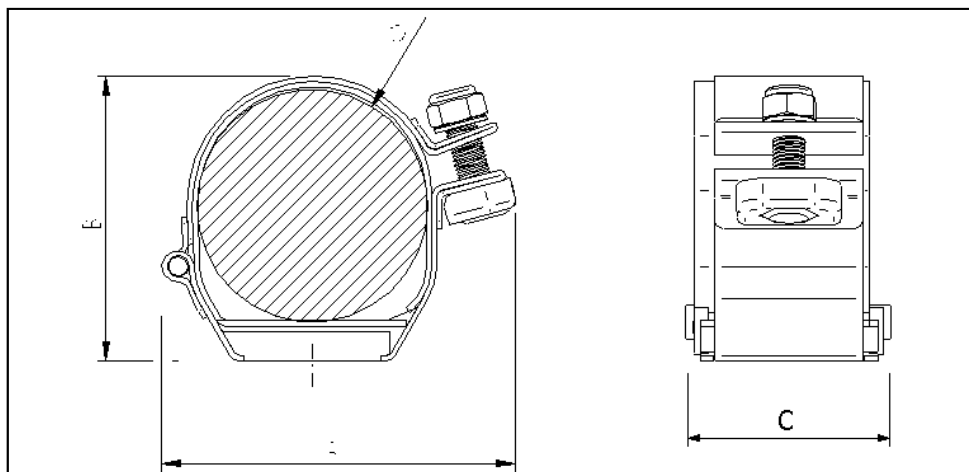
- > Single bolt fixing
- > Complies with IEC 61914:2009
- > Ergonomic design allows easy installation, with single tool tightening from top side.
- > Manufactured from Non-Magnetic corrosion resistant 316L stainless steel.
- > Inserts and liners made from Low Smoke and Zero halogen materials.

Cleats & Cable Fixings

Stainless Steel

Single Cable Cleat

379SC Series



Dimensions

| | |
|----------|-----------------------|
| A | Width |
| B | Height |
| C | Length |
| Ø | Cable Diameter |

Technical Data

| Cleat Selection | | Cleat Details | | | |
|-----------------|-------------|---------------|-----------------|-----|----|
| Design Number | Cable Range | | Dimensions (mm) | | |
| | Ø Min | Ø Max | A | B | C |
| 379SC01 | 33 | 40 | 86 | 65 | 60 |
| 379SC02 | 38 | 46 | 92 | 71 | 60 |
| 379SC03 | 45 | 53 | 99 | 78 | 60 |
| 379SC04 | 52 | 60 | 106 | 85 | 60 |
| 379SC05 | 59 | 67 | 113 | 92 | 60 |
| 379SC06 | 66 | 74 | 120 | 99 | 60 |
| 379SC07 | 72 | 82 | 132 | 111 | 60 |
| 379SC08 | 82 | 92 | 141 | 120 | 60 |
| 379SC09 | 92 | 103 | 151 | 130 | 60 |
| 379SC10 | 103 | 113 | 160 | 139 | 60 |
| 379SC11 | 113 | 123 | 169 | 148 | 60 |
| 379SC12 | 122 | 132 | 178 | 157 | 60 |
| 379SC13 | 121 | 131 | 177 | 156 | 60 |
| 379SC14 | 140 | 150 | 196 | 175 | 60 |

All cleats have a single central fixing hole for a 12mm diameter fixing bolt.

Performance Data

Test Standard **BS EN 61914:2009 (IEC 61914)**

| | Clause | Classification | | Clause | Classification |
|-----------------------|--------|-----------------|-----------------------------|------------------------|--|
| Type | 6.1.3 | Composite | Resistance to Short Circuit | 6.4.3 1 short circuit | Depends on cable spacing – refer to manufacturer |
| Operating Temperature | 6.2 | -40°C to +120°C | | 6.4.4 2 short circuits | Depends on cable spacing – refer to manufacturer |
| Impact Resistance | 6.3 | V. Heavy | Corrosion | 6.5.2 | High , Outdoor - wet conditions |
| Needle Flame | 10.1 | >120secs | | | |

* Technical Information subject to change without notice.